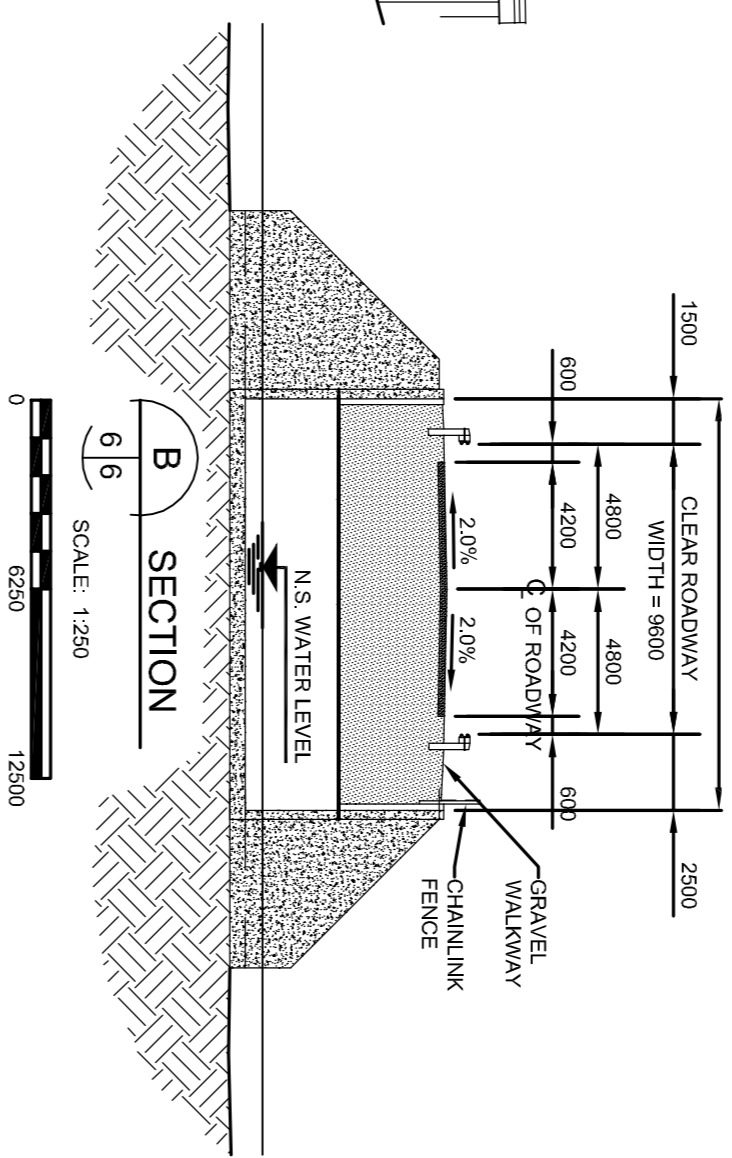
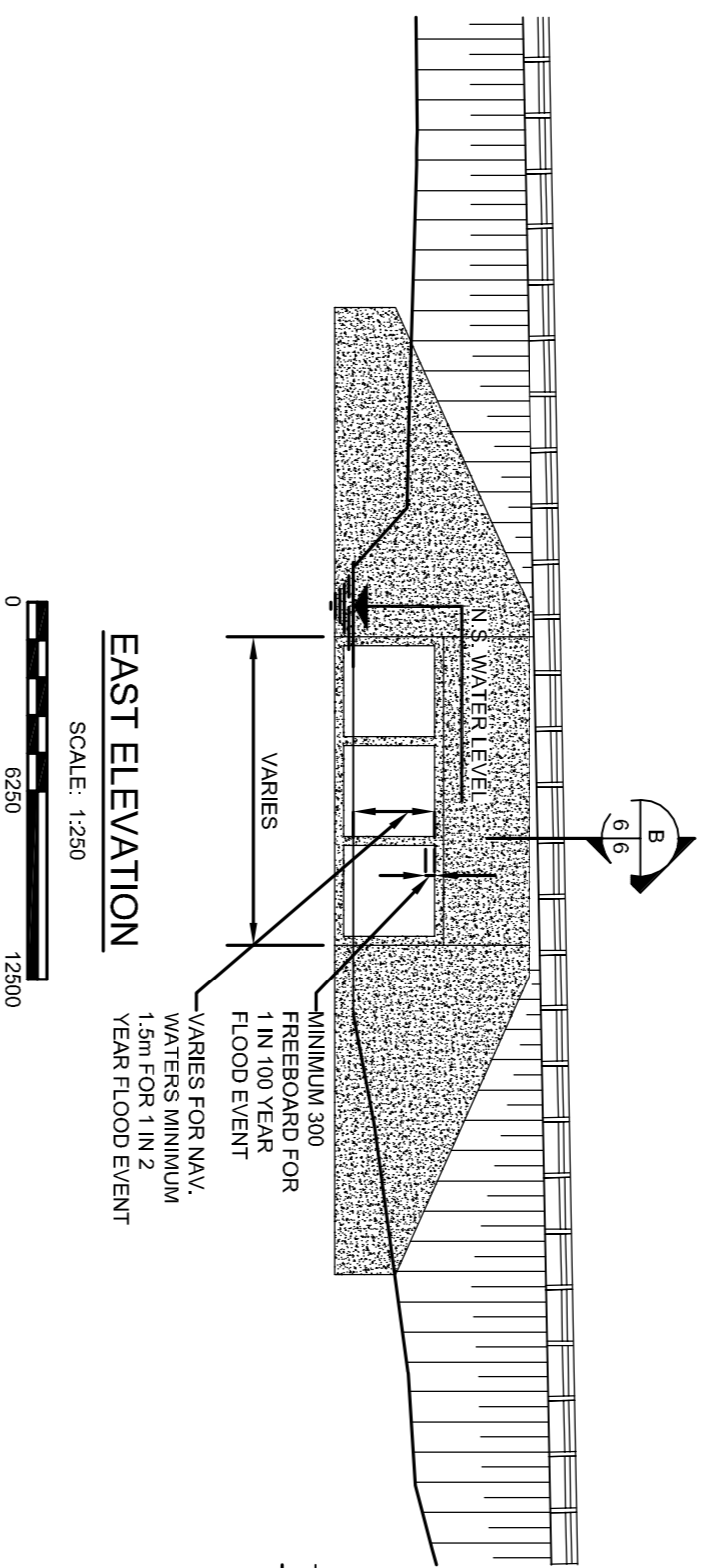
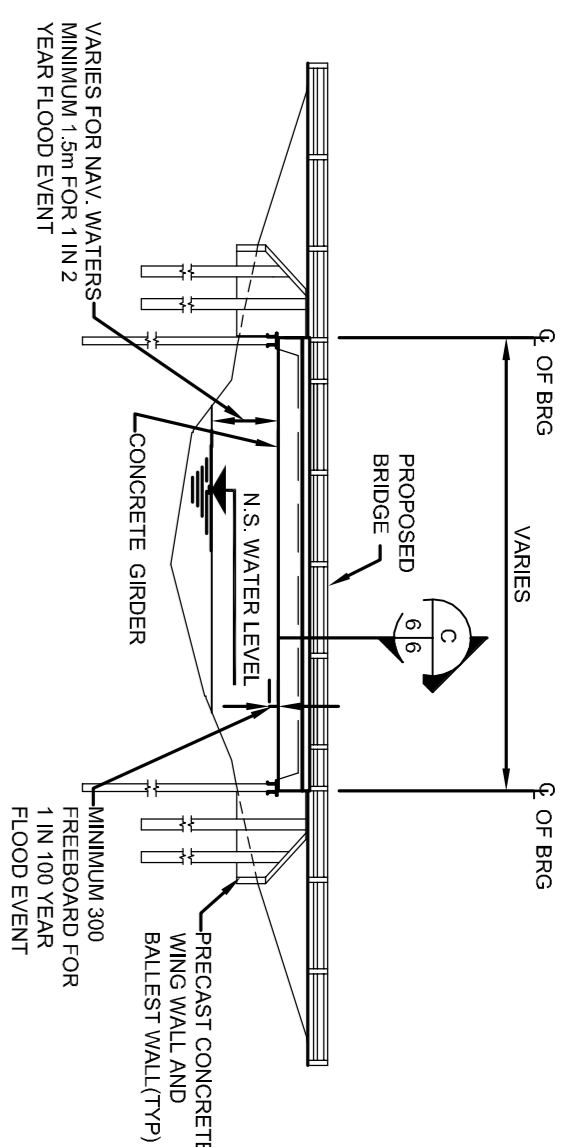
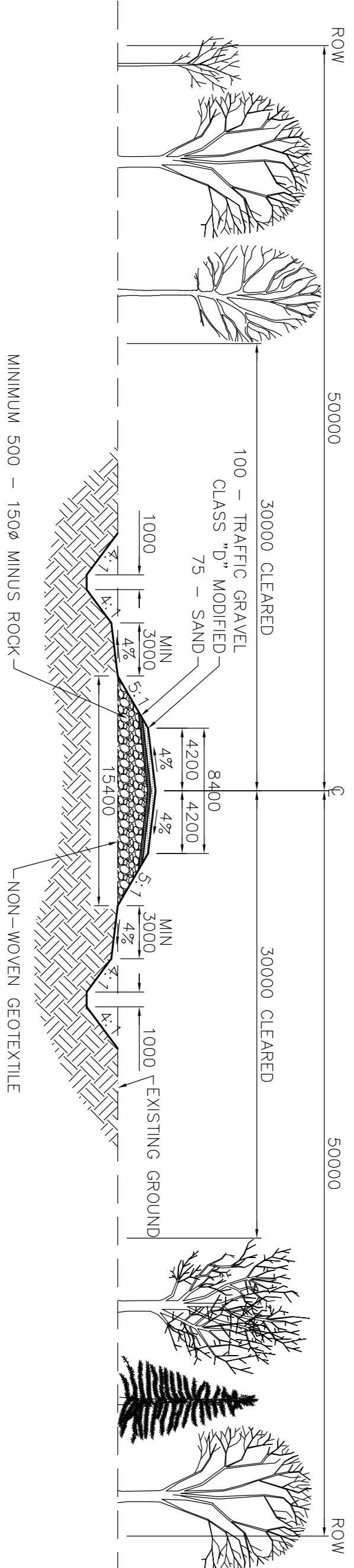
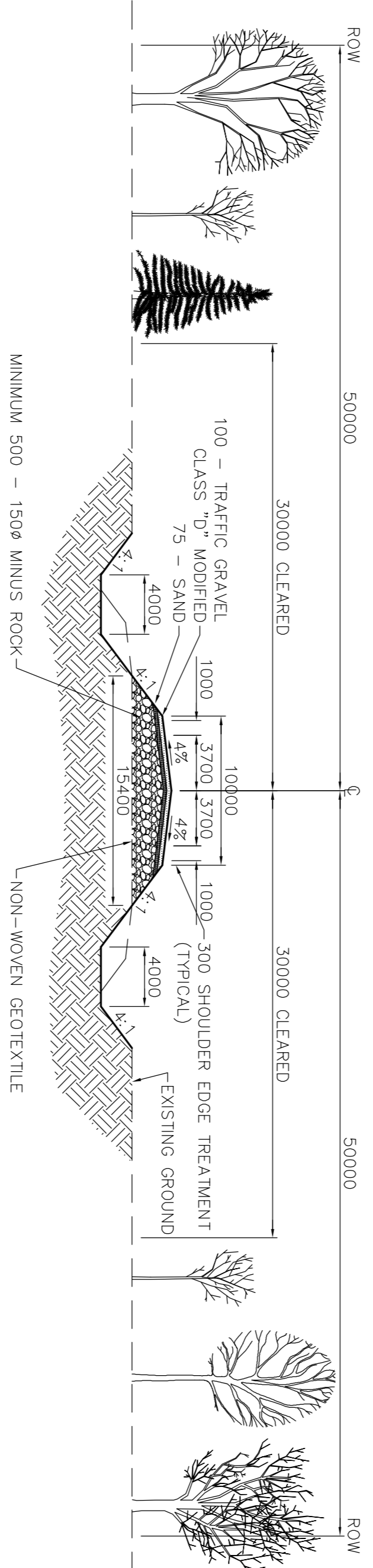


EAST ELEVATION
SCALE: 1:250

PROPOSED CULVERT

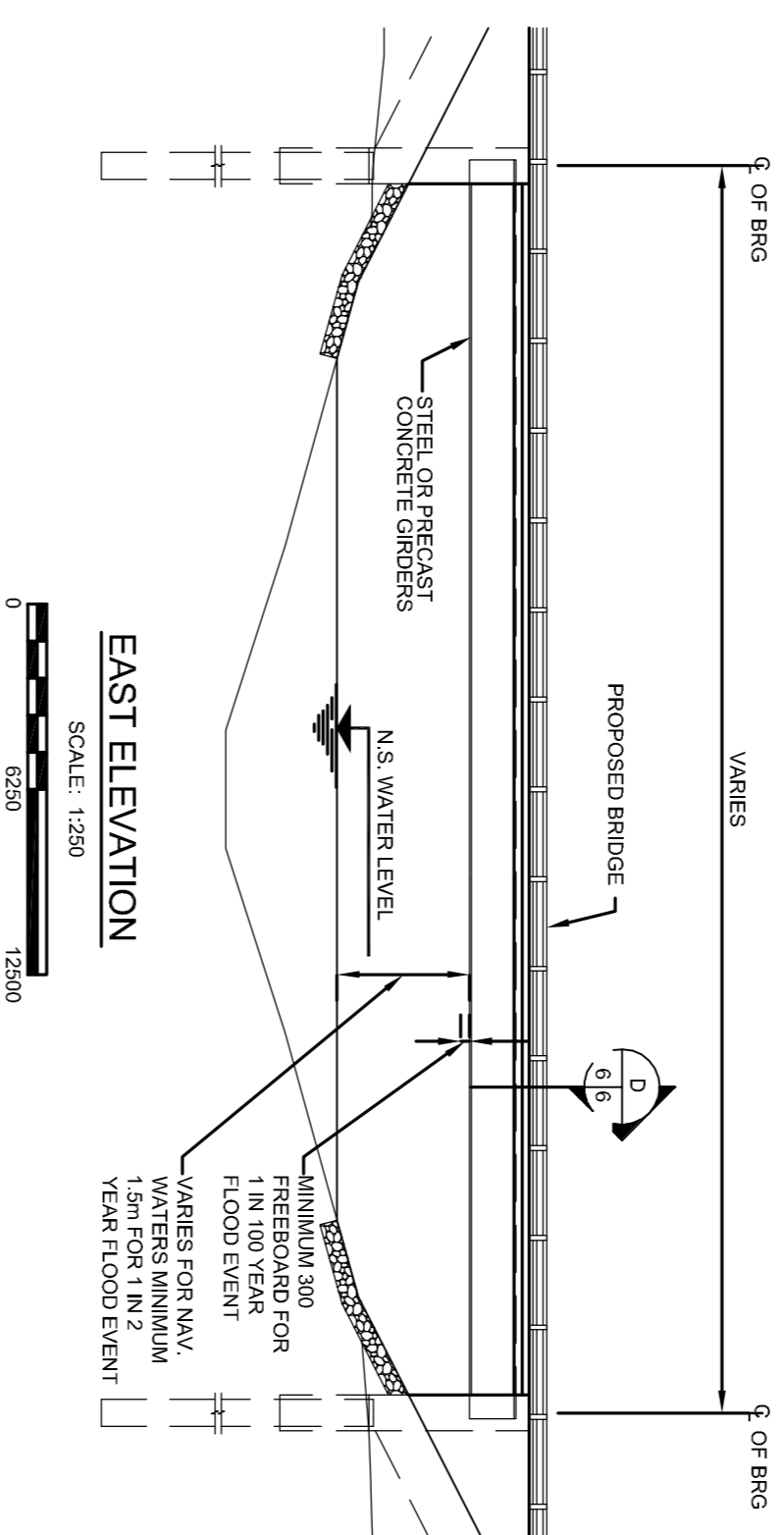


PROPOSED BOX CULVERT

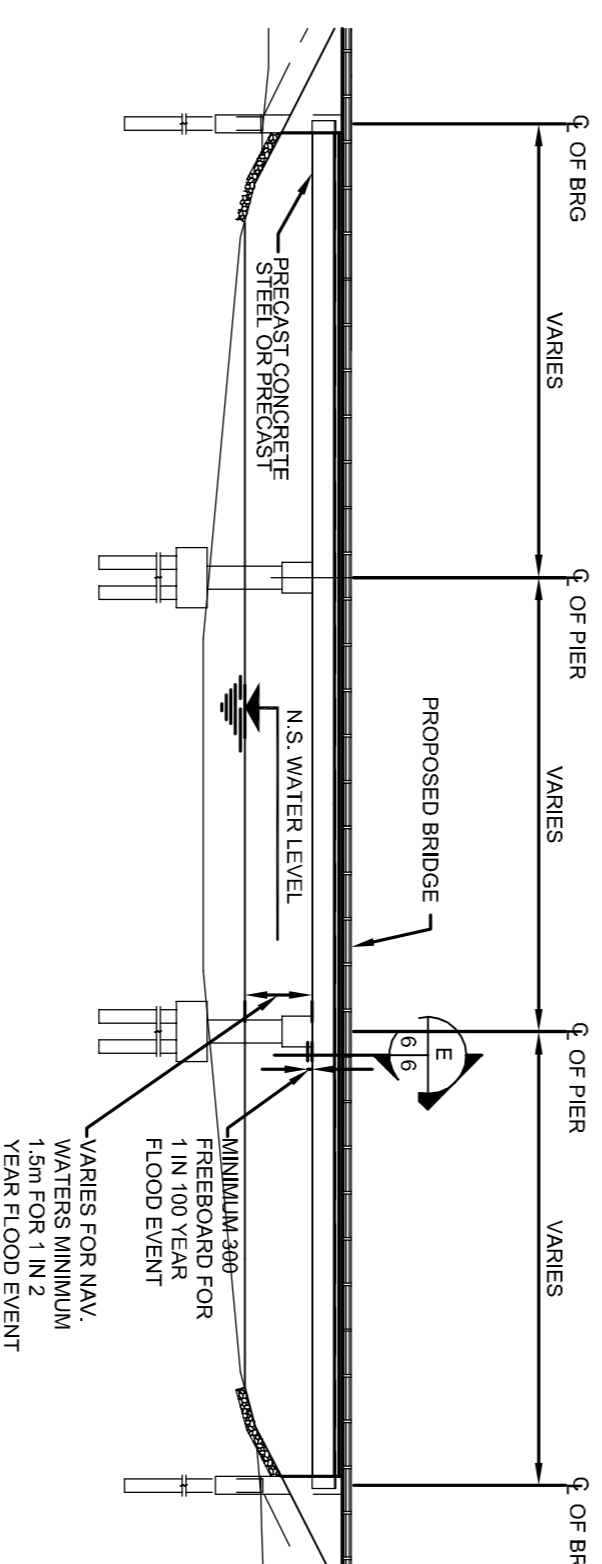


EAST ELEVATION
SCALE: 1:250

PROPOSED SINGLESPAN (<15m) STRUCTURE

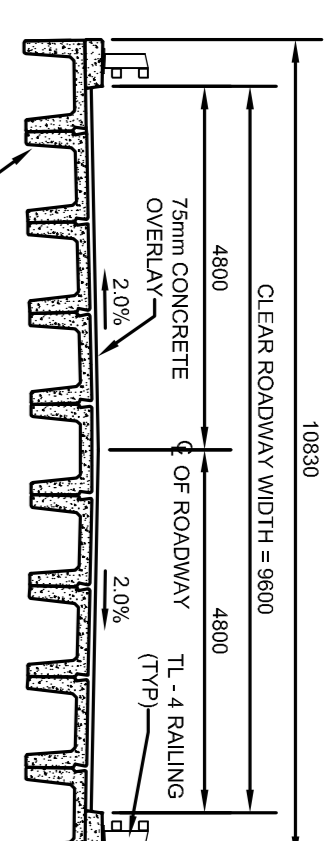


PROPOSED SINGLESPAN (>15m) STRUCTURE

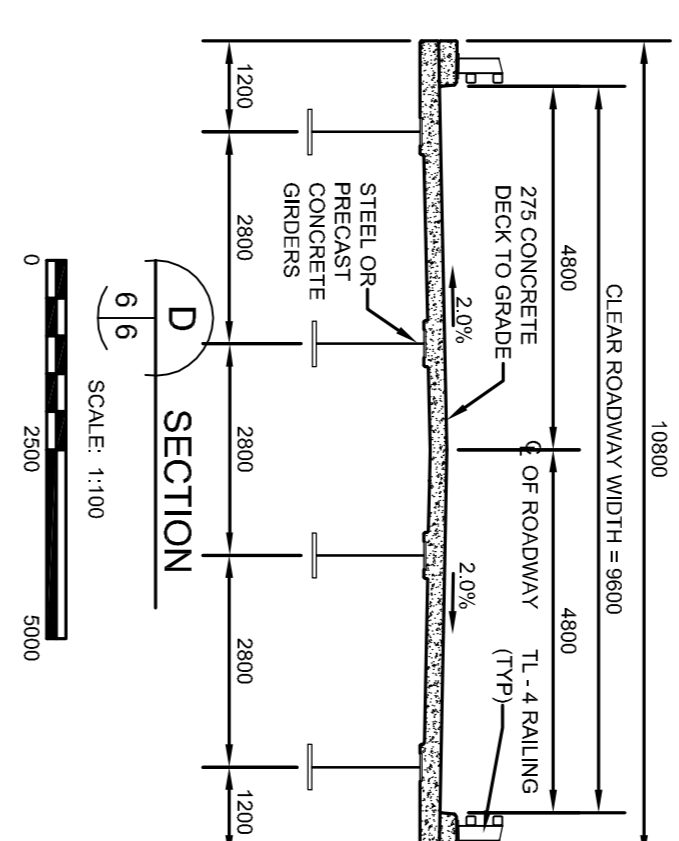


EAST ELEVATION
SCALE: 1:500

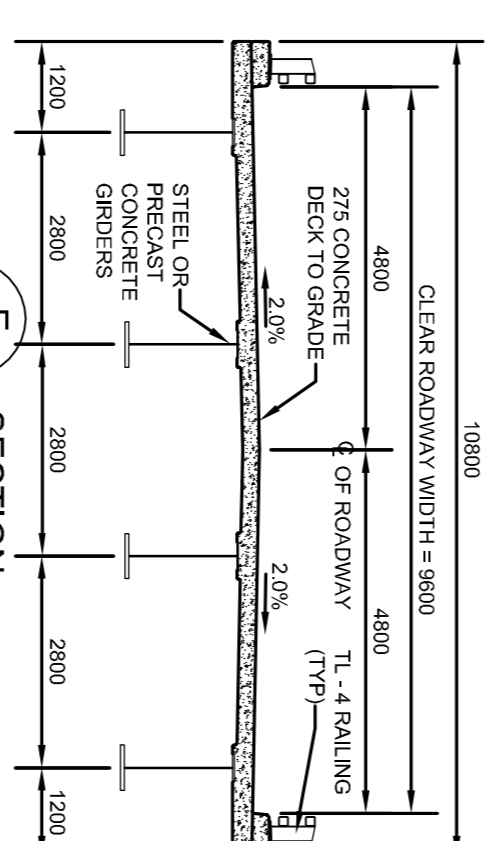
PROPOSED MULTISPAN STRUCTURE



C SECTION
SCALE: 1:100



D SECTION
SCALE: 1:100



E SECTION
SCALE: 1:100

FOR REFERENCE PURPOSES ONLY

no.	yr-mm-dd	revision	by	app.
9	09-09-28	CROSSINGS IDENTIFIED	JRM	JRM
8	09-09-24	REVISED ALIGNMENT	JRM	JRM
7	09-09-21	REVISED ALIGNMENT	JRM	JRM
6	09-08-20	GENERAL REVISIONS	JRM	JRM
5	09-08-13	GENERAL REVISIONS	JRM	JRM
4	07-08-12	REVISED ALIGNMENT	JRM	JRM
3	09-07-27	REVISED ALIGNMENT	JRM	JRM
2	09-07-17	CROSSINGS IDENTIFIED	JRM	JRM
1	09-07-16	QUARRY SITES ADDED	JRM	JRM

AECOM		designed	RC
		drawn	RC
GENERAL ARRANGEMENT STRUCTURES AND ROAD SECTIONS		checked	TGS
		approved	JRM

FUNCTIONAL ALIGNMENT FOR PR 304 TO BERENS RIVER ALL-SEASON ROAD PROJECT	scale AS SHOWN	project no. 112041
drawing no. RT06	rev. 9	